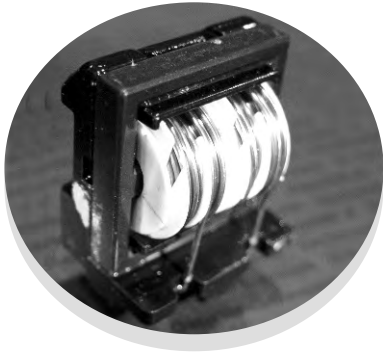
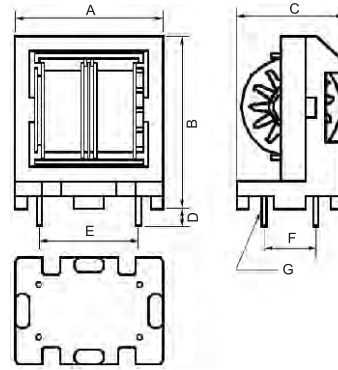


Series **ET**  
OUT LINE

SHAPES AND DIMENSIONS

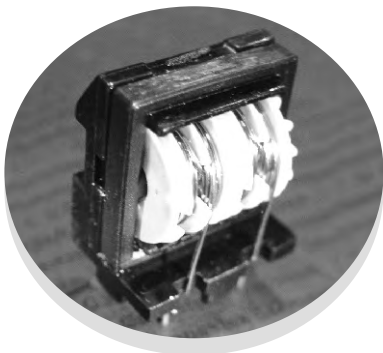


**ET19X31XX1T**

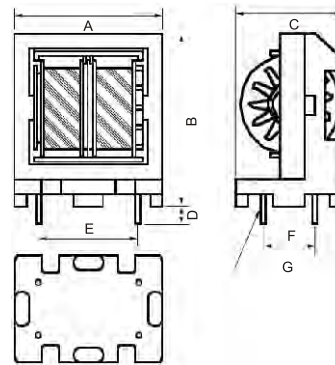


Dimensions in mm

A	B	C	D	E	F	G
26 +°	31 +°	19 +°	4 ± 1	13 ± 0.5	10 ± 0.5	0.8 φ



**ET22X36XX1T**

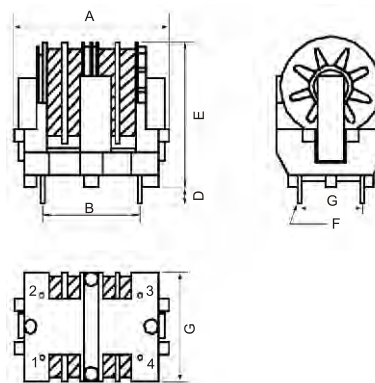


Dimensions in mm

A	B	C	D	E	F	G
31.5 +°	35.5 +°	22 +°	4 ± 1	13 ± 0.5	10 ± 0.5	0.8 φ



**ET18X24XX1T**



Dimensions in mm

A	B	C	D	E	F	G
22 +°	13 ± 0.5	10 ± 0.5	4 ± 1	24 +°	0.8 φ	18 +°